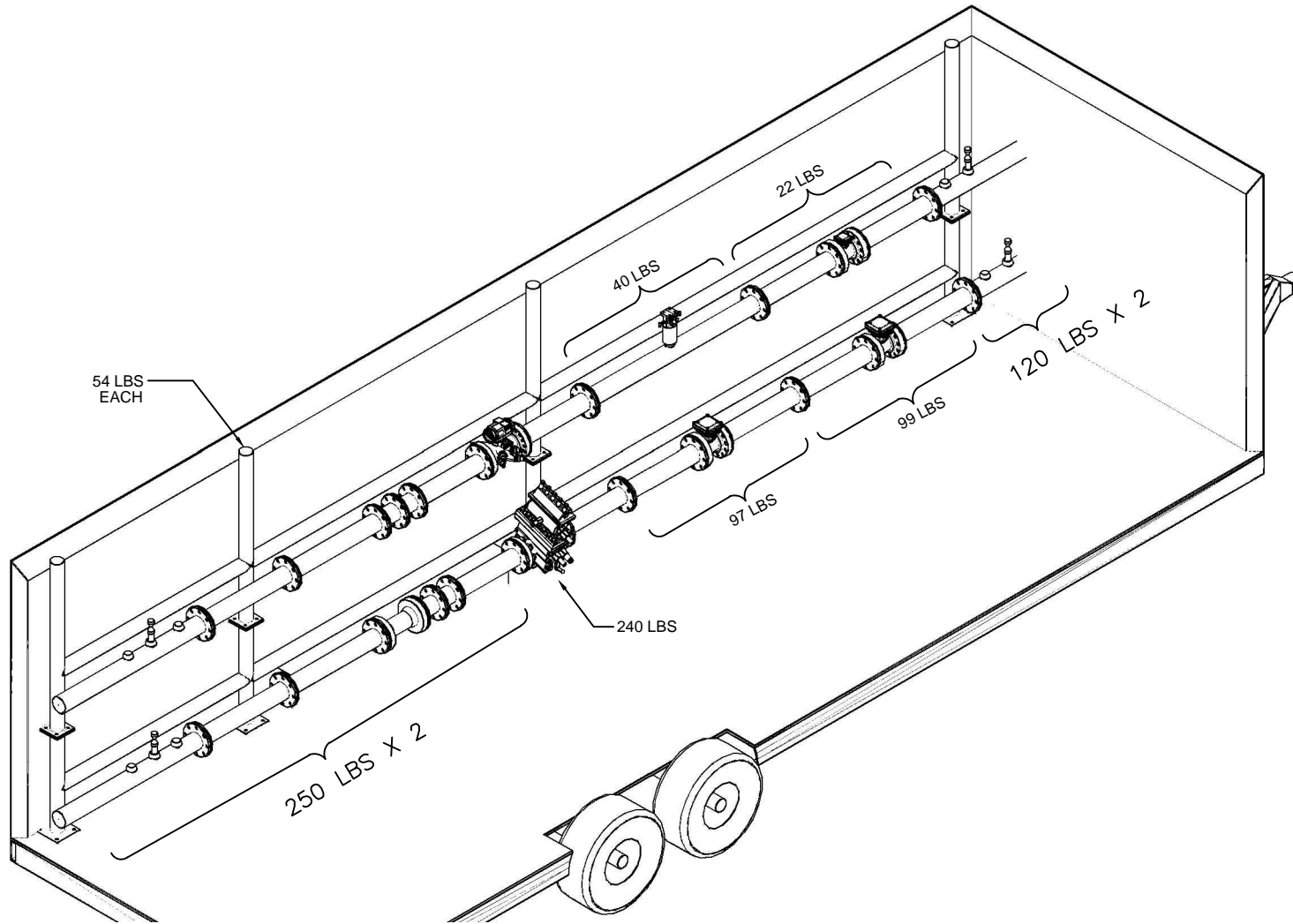


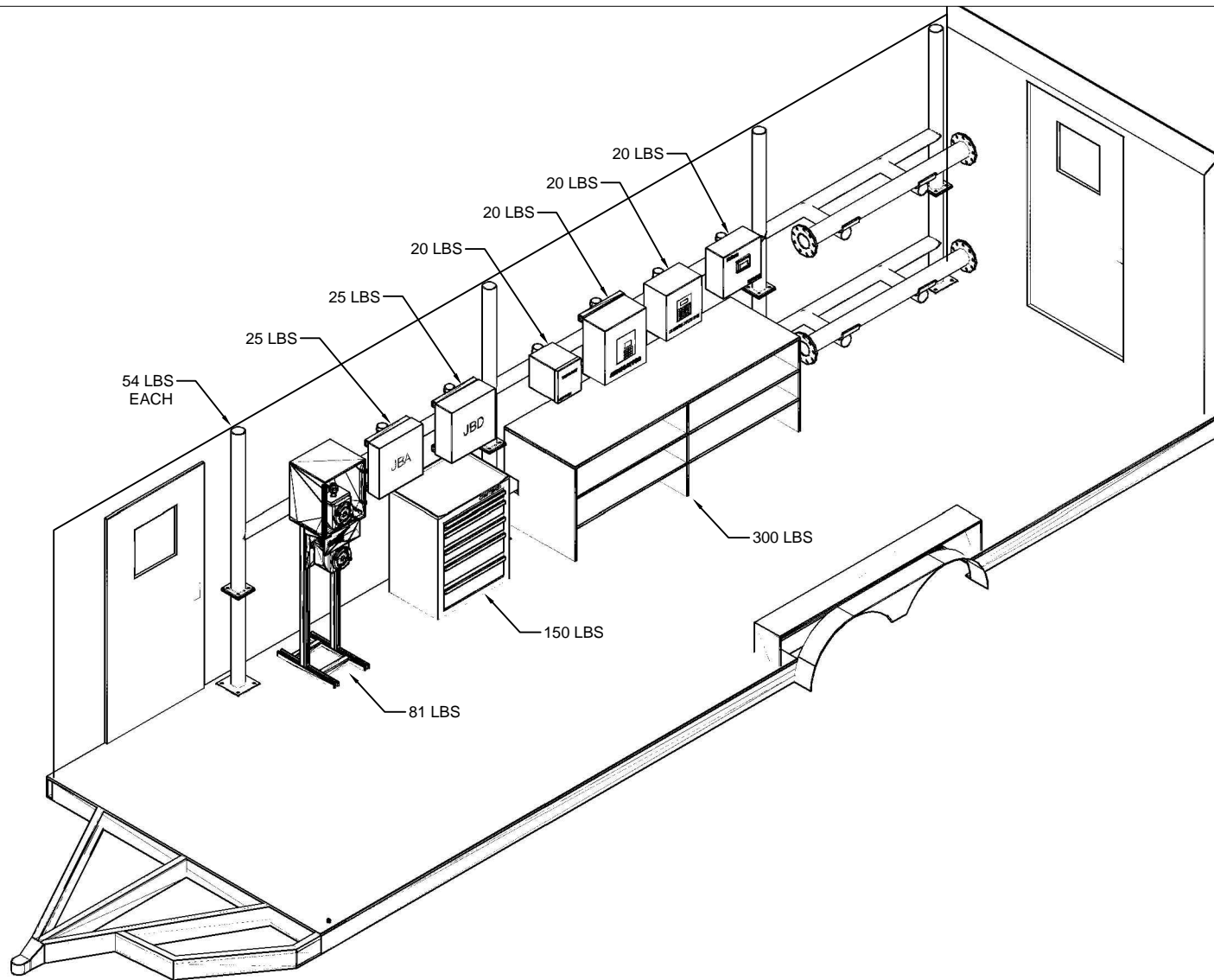
SUPPORT STRUCTURE

	<small>THIS DRAWING IN DESIGN AND DETAIL IS PROPERTY OF LETTON HALL ENGINEERING AND MUST NOT BE USED IN CONNECTION WITH OUR WORK, IF SHALL NOT BE REPRODUCED AND SHALL BE RETURNED TO US ON DEMAND. ALL RIGHTS ARE RESERVED.</small>	
	CUSTOMER:	BARTON COMMUNITY COLLEGE - KANSAS
	TITLE:	GENERAL ARRANGEMENT
	DRAWING NO:	M-6027.1-01-100
	DATE:	22OCT10
REVISION:	B	SHEET NO: 21 OF X



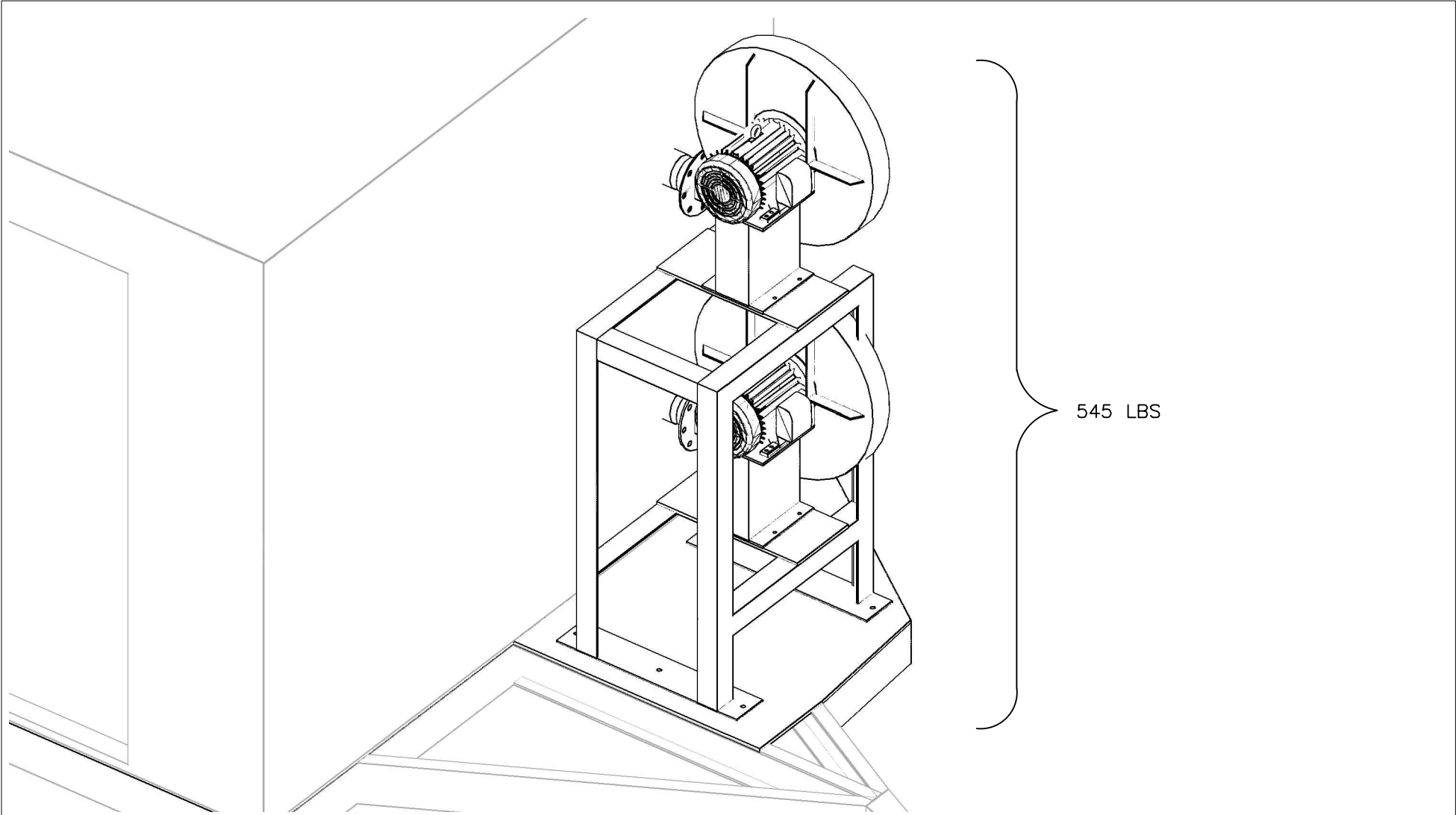
METER RUN WEIGHTS

		<small>THIS DRAWING IN DESIGN AND DETAIL IS PROPERTY OF LETTON HALL ENGINEERING AND MUST NOT BE USED EXCEPT IN CONNECTION WITH OUR WORK. IT SHALL NOT BE REPRODUCED AND SHALL BE RETURNED TO US ON DEMAND. ALL RIGHTS ARE RESERVED.</small>	
		CUSTOMER:	BARTON COMMUNITY COLLEGE - KANSAS
		TITLE:	GENERAL ARRANGEMENT
		DRAWING NO.:	M-6027.1-01-100
		DATE:	22OCT10
		REVISION:	B
		SHEET NO.:	52 OF X



EQUIPMENT WEIGHTS  
FLOW COMPUTER SIDE

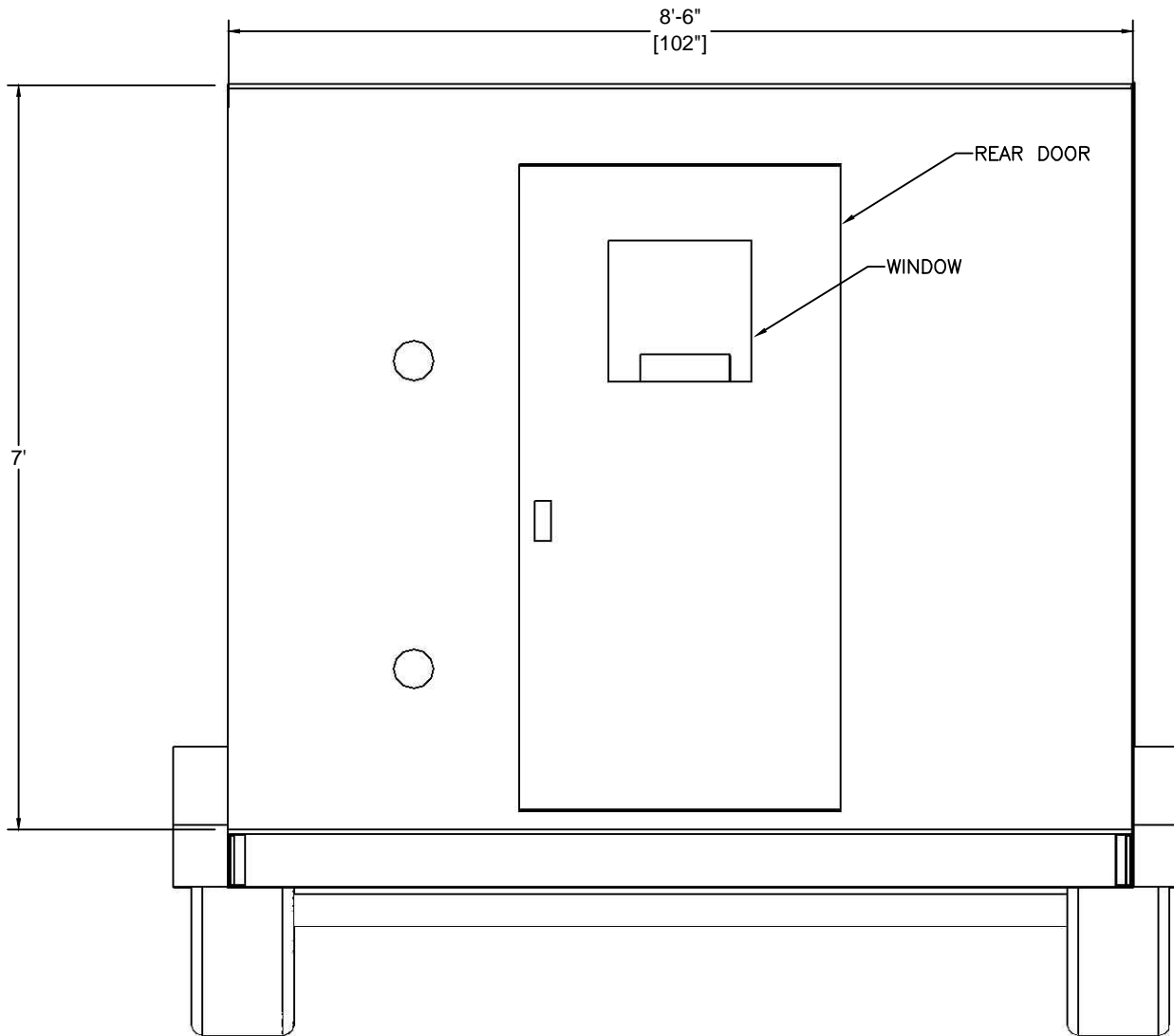
	<small>THIS DRAWING IN DESIGN AND DETAIL IS PROPERTY OF LETTONHALL ENGINEERING AND MUST NOT BE USED EXCEPT IN CONNECTION WITH OUR WORK. IT SHALL NOT BE REPRODUCED AND SHALL BE RETURNED TO US ON DEMAND. ALL RIGHTS ARE RESERVED.</small>	
	CUSTOMER:	BARTON COMMUNITY COLLEGE - KANSAS
	TITLE:	GENERAL ARRANGEMENT
	DRAWING NO:	M-6027.1-01-100
	DATE:	22OCT10
REVISION:	B	SHEET NO: 14 OF X



545 LBS

FAN WEIGHT

	<small>THIS DRAWING IN DESIGN AND DETAIL IS PROPERTY OF LETTON HALL ENGINEERING AND MUST NOT BE USED EXCEPT IN CONNECTION WITH OUR WORK. IT SHALL NOT BE REPRODUCED AND SHALL BE RETURNED TO US ON DEMAND. ALL RIGHTS ARE RESERVED.</small>	
	CUSTOMER:	BARTON COMMUNITY COLLEGE - KANSAS
	TITLE:	GENERAL ARRANGEMENT
	DRAWING NO:	M-6027.1-01-100
	DATE:	22OCT10
REVISION:	B	SHEET NO: 20 OF X

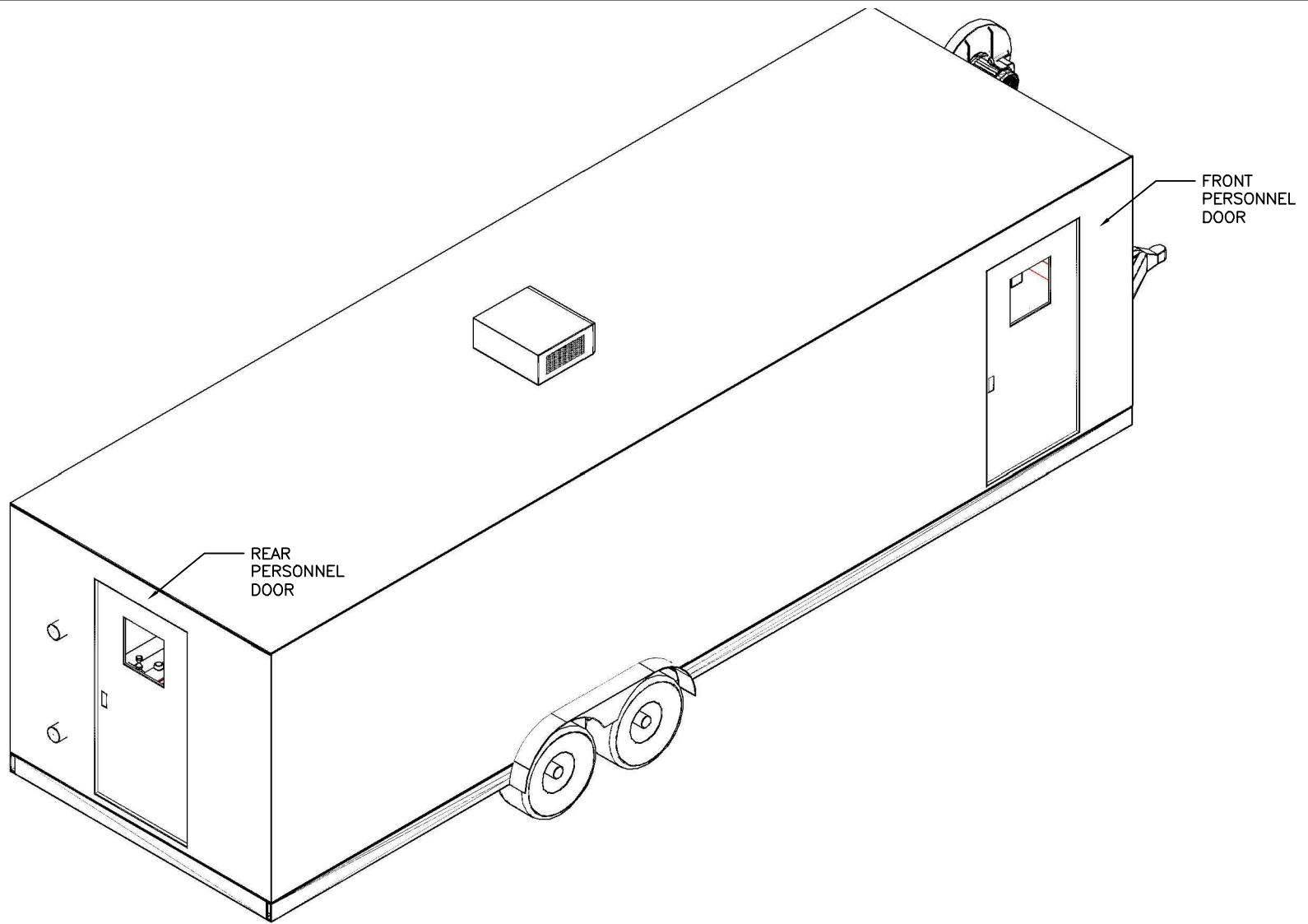


REAR VIEW  
DOOR CLOSED



THIS DRAWING IN DESIGN AND DETAIL IS PROPERTY OF LETTON HALL ENGINEERING AND MUST NOT BE USED EXCEPT IN CONNECTION WITH OUR WORK. IT SHALL NOT BE REPRODUCED AND SHALL BE RETURNED TO US ON DEMAND. ALL RIGHTS ARE RESERVED.

CUSTOMER:	BARTON COMMUNITY COLLEGE - KANSAS
TITLE:	GENERAL ARRANGEMENT
DRAWING NO.:	M-6027.1-01-100
DATE:	22OCT10
REVISION:	B
SHEET NO.:	5 OF X



REAR VIEW

REV	DATE	DESCRIPTION	DRWN	CHKD	APPD
B	30NOV10	RE-ISSUED FOR APPROVAL	GWL	TEB	DD
A	22OCT10	ISSUED FOR APPROVAL	GWL	TEB	DD

LETTON  
HALL  
GROUP

THIS DRAWING IN DESIGN AND DETAIL IS PROPERTY OF LETTON HALL ENGINEERING AND MUST NOT BE USED EXCEPT IN CONNECTION WITH OUR WORK. IT SHALL NOT BE REPRODUCED AND SHALL BE RETURNED TO US ON DEMAND. ALL RIGHTS ARE RESERVED.

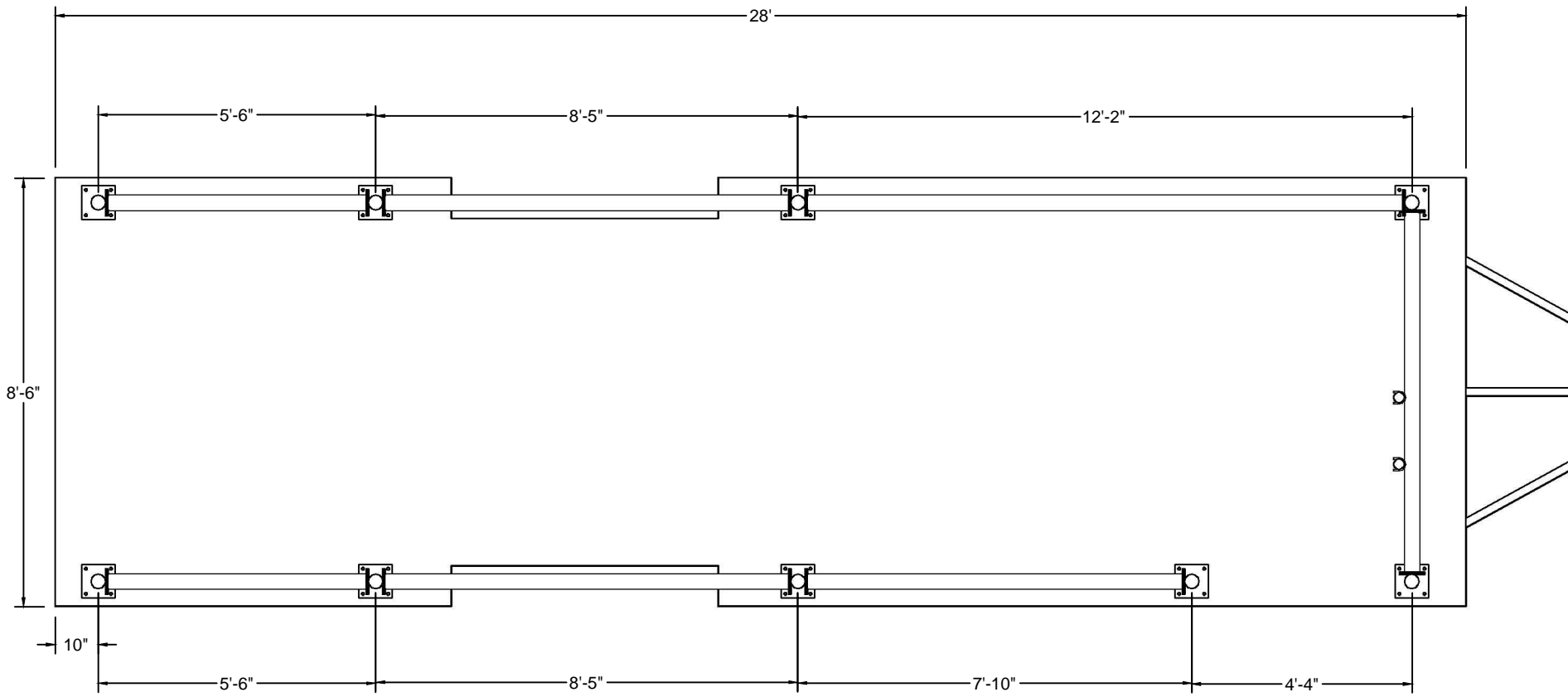
CUSTOMER: BARTON COMMUNITY COLLEGE - KANSAS

TITLE: GENERAL ARRANGEMENT

DRAWING NO: M-6027.1-01-001

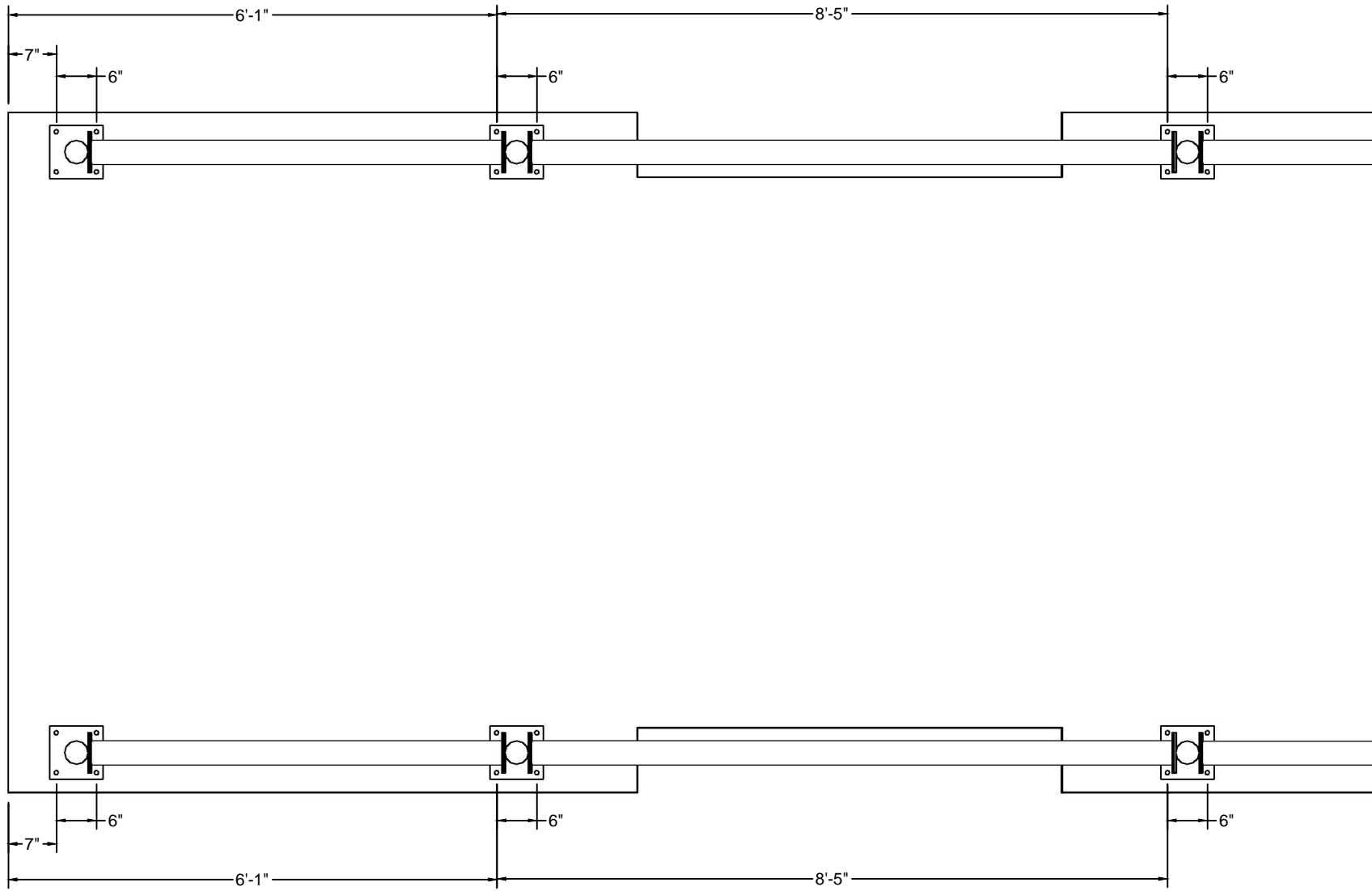
DATE: 22OCT10

REVISION: B SHEET NO: 1 OF X



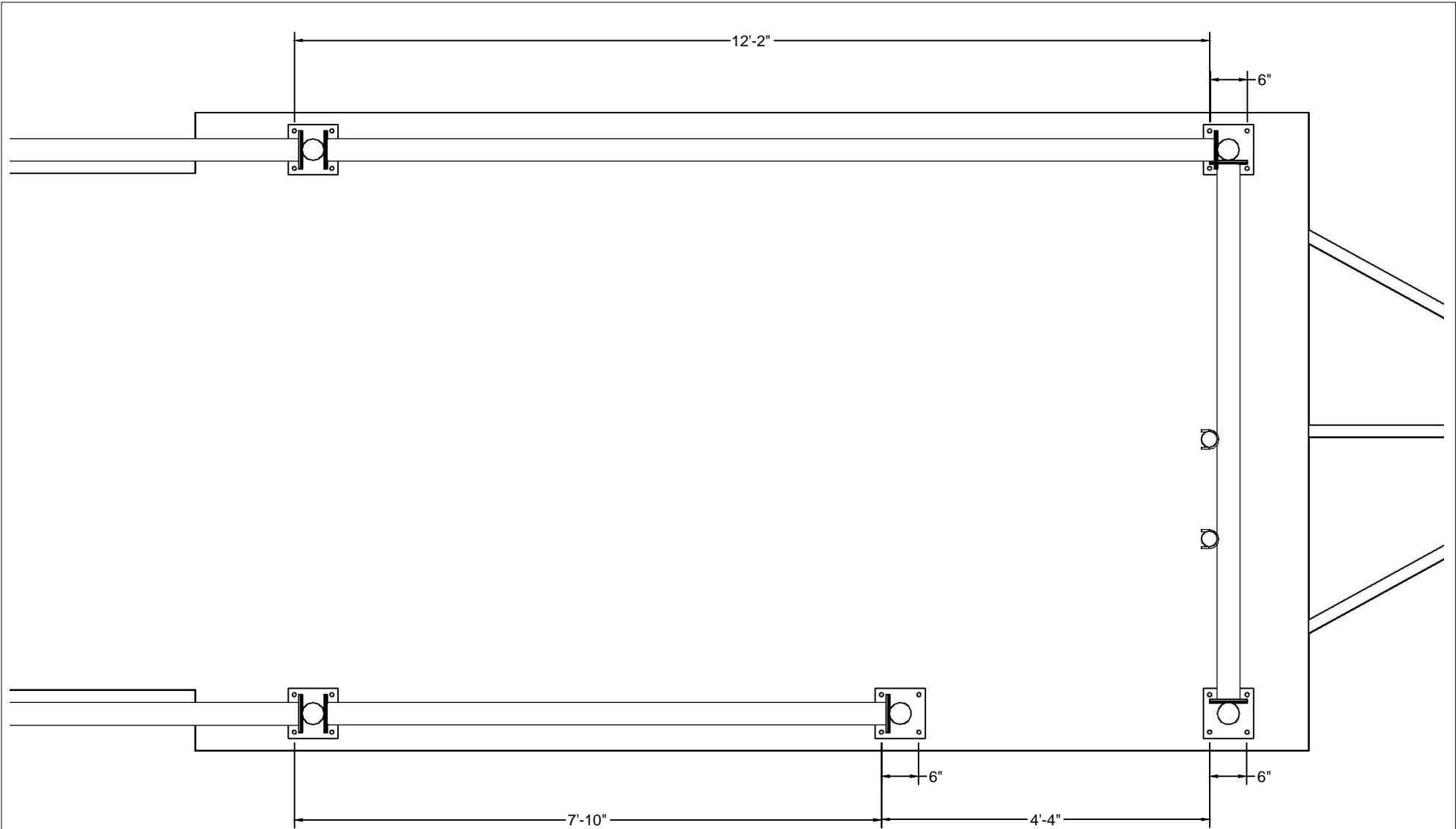
SUPPORT STRUCTURE ON TRAILER  
TRAILER REINFORCEMENT DETAILS

	<small>THIS DRAWING IN DESIGN AND DETAIL IS PROPERTY OF LETTON HALL ENGINEERING AND MUST NOT BE USED EXCEPT IN CONNECTION WITH OUR WORK. IT SHALL NOT BE REPRODUCED AND SHALL BE RETURNED TO US ON DEMAND. ALL RIGHTS ARE RESERVED.</small>	
	CUSTOMER:	BARTON COMMUNITY COLLEGE - KANSAS
	TITLE:	GENERAL ARRANGEMENT
	DRAWING NO:	M-6027.1-01-100
	DATE:	22OCT10
REVISION:	B	SHEET NO: 21 OF X



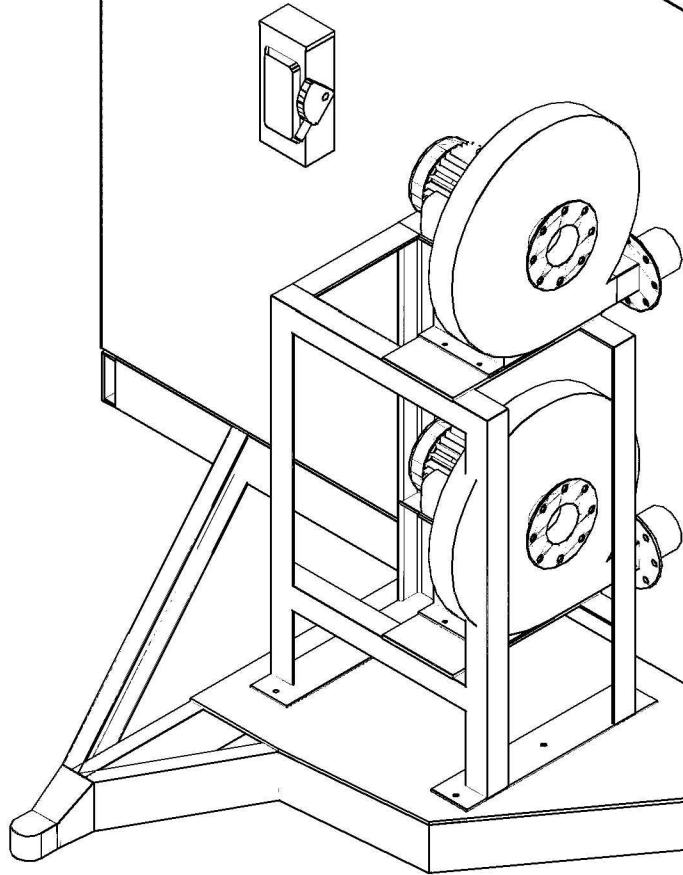
**SUPPORT STRUCTURE ON TRAILER**  
**TRAILER REINFORCEMENT DETAILS**

	<small>THIS DRAWING IN DESIGN AND DETAIL IS PROPERTY OF LETTON HALL ENGINEERING AND MUST NOT BE USED EXCEPT IN CONNECTION WITH OUR WORK. IT SHALL NOT BE REPRODUCED AND SHALL BE RETURNED TO US ON DEMAND. ALL RIGHTS ARE RESERVED.</small>	
	CUSTOMER:	BARTON COMMUNITY COLLEGE - KANSAS
	TITLE:	GENERAL ARRANGEMENT
	DRAWING NO:	M-6027.1-01-100
	DATE:	22OCT10
REVISION:	B	SHEET NO: 21 OF X



SUPPORT STRUCTURE ON TRAILER  
 TRAILER REINFORCEMENT DETAILS

	<small>THIS DRAWING IN DESIGN AND DETAIL IS PROPERTY OF LETTON HALL ENGINEERING AND MUST NOT BE USED EXCEPT IN CONNECTION WITH OUR WORK. IT SHALL NOT BE REPRODUCED AND SHALL BE RETURNED TO US ON DEMAND. ALL RIGHTS ARE RESERVED.</small>	
	CUSTOMER:	BARTON COMMUNITY COLLEGE - KANSAS
	TITLE:	GENERAL ARRANGEMENT
	DRAWING NO:	M-6027.1-01-100
	DATE:	22OCT10
REVISION:	B	SHEET NO: 21 OF X



FRTON VIEW  
BLOWER ASSEMBLY



<small>THIS DRAWING IN DESIGN AND DETAIL IS PROPERTY OF LETTONHALL ENGINEERING AND MUST NOT BE USED EXCEPT IN CONNECTION WITH OUR WORK. IT SHALL NOT BE REPRODUCED AND SHALL BE RETURNED TO US ON DEMAND. ALL RIGHTS ARE RESERVED.</small>	
CUSTOMER:	BARTON COMMUNITY COLLEGE - KANSAS
TITLE:	GENERAL ARRANGEMENT
DRAWING NO:	M-6027.1-01-100
DATE:	22OCT10
REVISION:	B
SHEET NO:	8 OF X